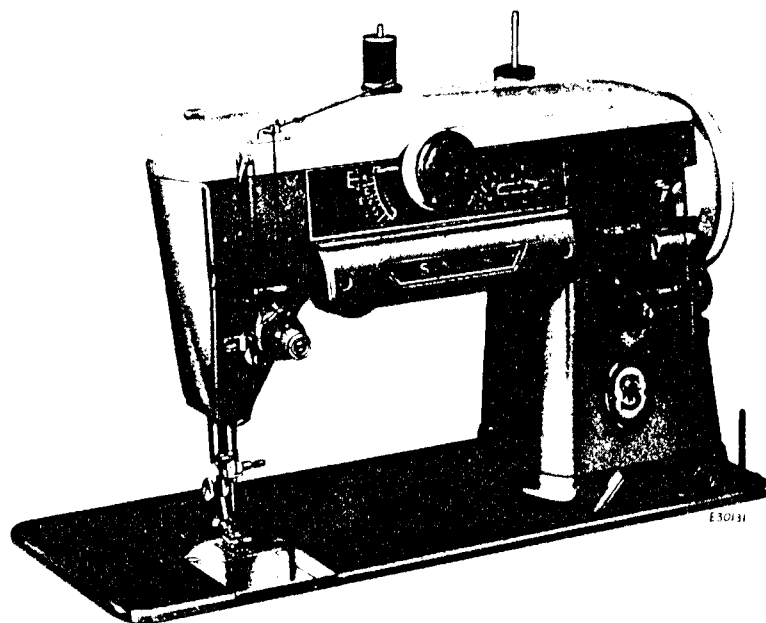


**SINGER**  
**401A1**

## List of Parts-Machine No. 401A1

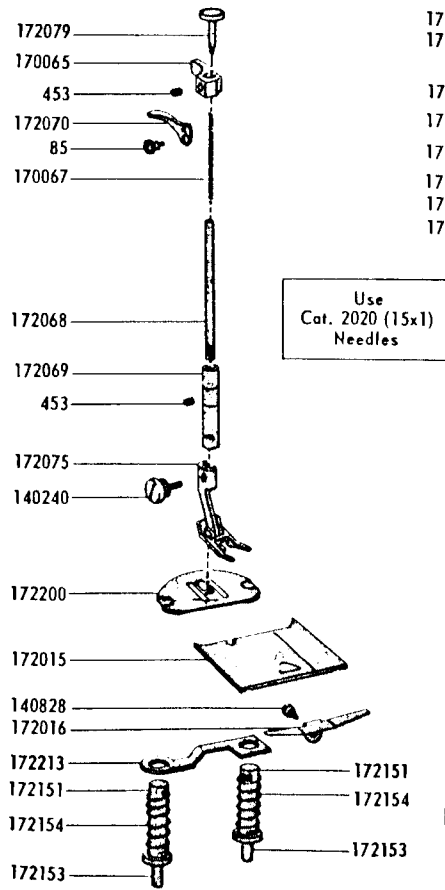
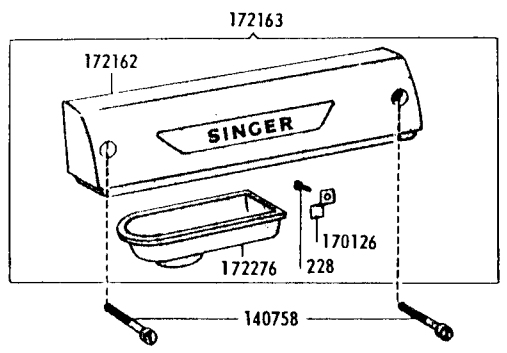
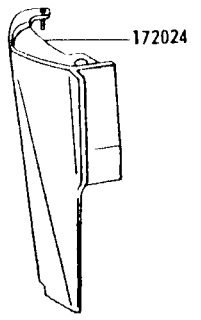
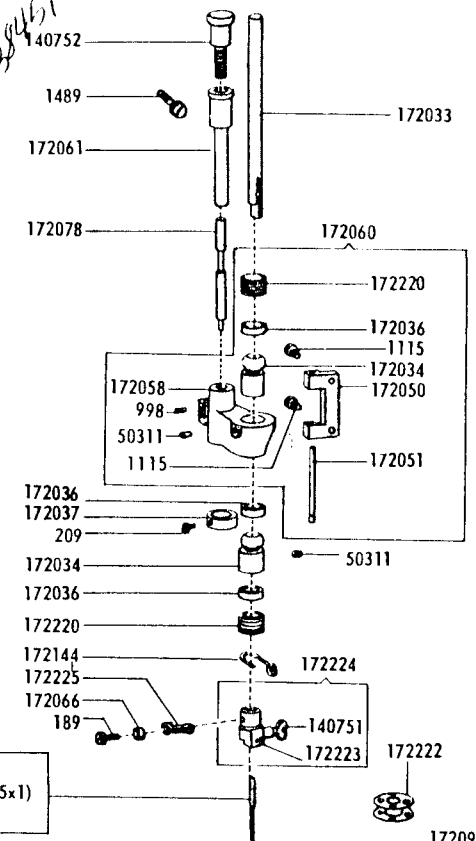
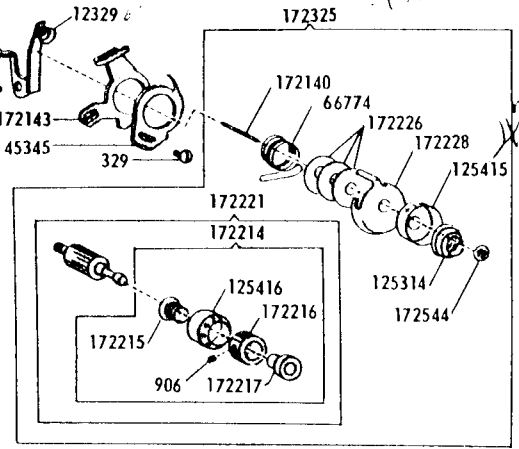
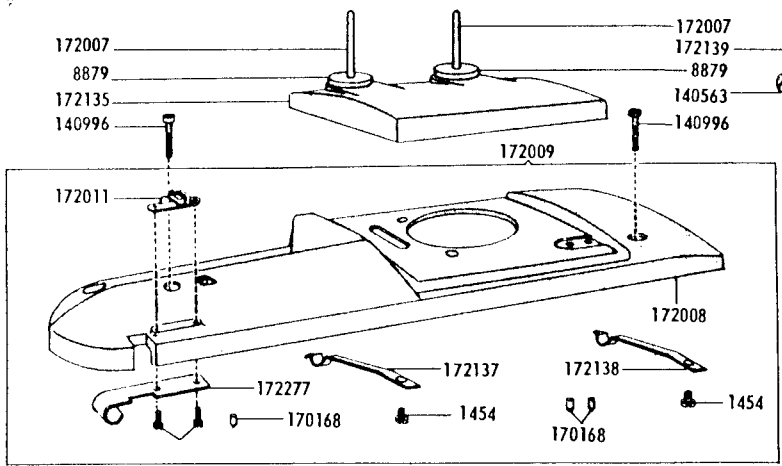
ATTACHMENT SET 161173

|            |                       |
|------------|-----------------------|
| 8879       | Felt Washer (4)       |
| 51361(813) | Bed Plate Screw       |
| 51621(813) | Bed Plate Nut         |
| 81200      | Binder                |
| 161133     | Tube of Oil           |
| 161166     | Zipper Foot           |
| 161168     | Button Foot           |
| 161172     | Seam Guide            |
| 161195     | Hemmer Foot           |
| 161200     | Attachment Box        |
| 161276     | Lint Brush            |
| 161294     | Screwdriver (LG)      |
| 161295     | Screwdriver (SM)      |
| 161561     | Ruffler               |
| 163483     | Special Purpose Foot  |
| 170071-001 | Presser Foot          |
| 172007     | Spool Pin (3)         |
| 172187     | Fashion Disc 2        |
| 172189     | Fashion Disc 3        |
| 172190     | Fashion Disc 4        |
| 172191     | Fashion Disc 5        |
| 172336     | Bobbin (Plastic) (4)  |
| 174529     | Throat Plate          |
| 2020(15x1) | Needles 14 (3) 16 (3) |

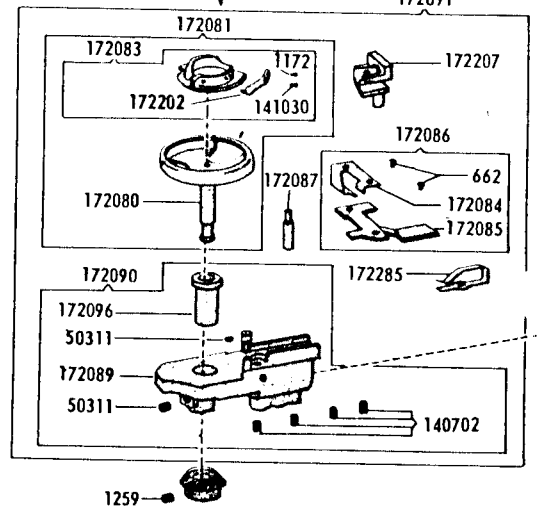
172007  
172135  
140996

FI controller  
938-11103  
172135451

# List of Parts—Machine No. 401A1



Use  
Cat. 2020 (15x1)  
Needles



**NOTE:** Due to accuracy required for gear alignment,  
Bed cannot be supplied separately and can only  
be sent as a unit, Arm and Bed assembled.

